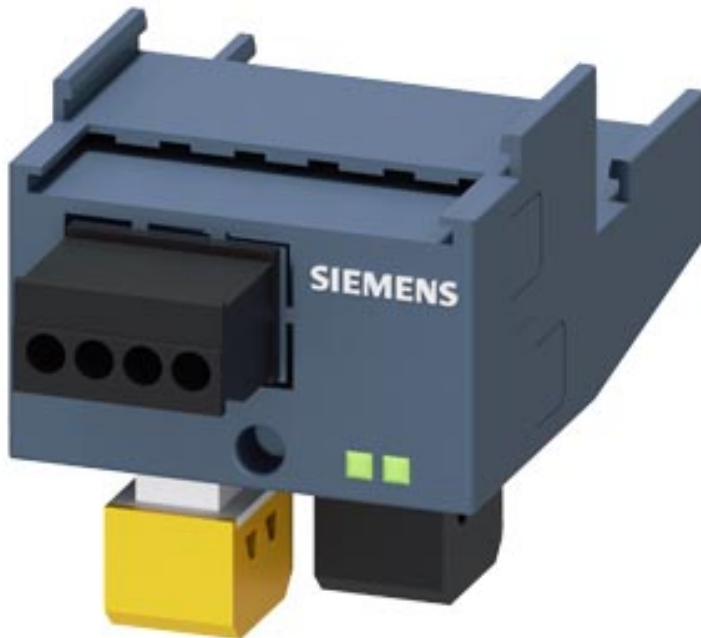


AS-I ADD-ON MODULE WITH 2 FREE EXTERNAL
OUTPUTS



General technical data:

product brandname		SIRIUS
Product designation		AS-i mounting module with two free outputs
Protection class IP		IP20
Relative humidity during operation	%	10 ... 90
Ambient temperature		
• during transport	°C	-25 ... +70
• during storage	°C	-25 ... +80
• during operation	°C	-20 ... +60
Equipment marking acc. to DIN EN 61346-2		K
Equipment marking acc. to DIN 40719 extended according to IEC 204-2 acc. to IEC 750		K

Installation/ mounting/ dimensions:

Width	mm	45
Height	mm	50
Depth	mm	78

Connections/ Terminals:

Wire stripping length	mm	7
-----------------------	----	---

Type of electrical connection		screw-type terminals
• for auxiliary and control current circuit		
Tightening torque for auxiliary contacts with screw-type terminals	N·m	0.5 ... 0.6

Certificates/ approvals:

Certificate of suitability	IEC / EN 60947-6-2	
----------------------------	--------------------	--

General Product Approval	EMC	Declaration of Conformity	Shipping Approval
--------------------------	-----	---------------------------	-------------------



Shipping Approval	other
-------------------	-------



[Environmental Confirmations](#)

[Confirmation](#)

other

[Miscellaneous](#)

Further information

Information- and Downloadcenter (Catalogs, Brochures,...)

<http://www.siemens.com/industrial-controls/catalogs>

Industry Mall (Online ordering system)

<http://www.siemens.com/industrymall>

Cax online generator

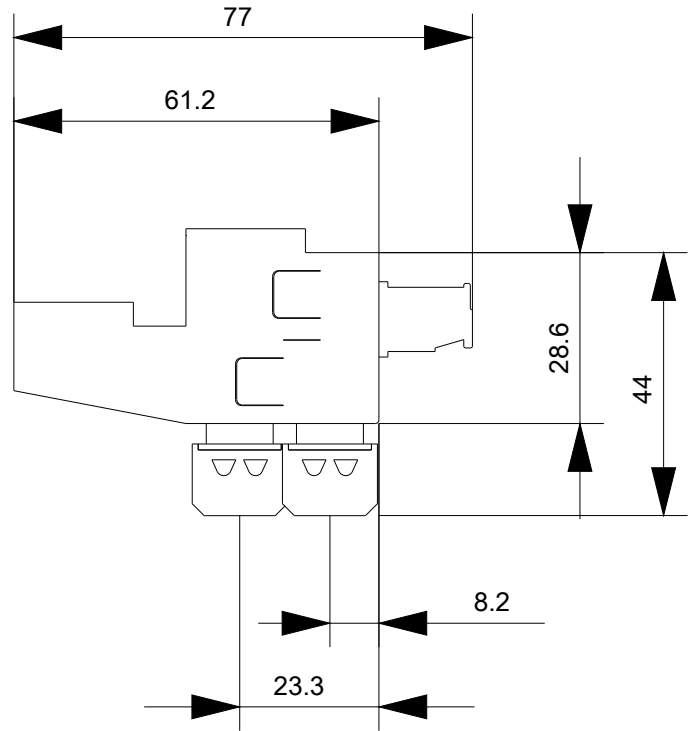
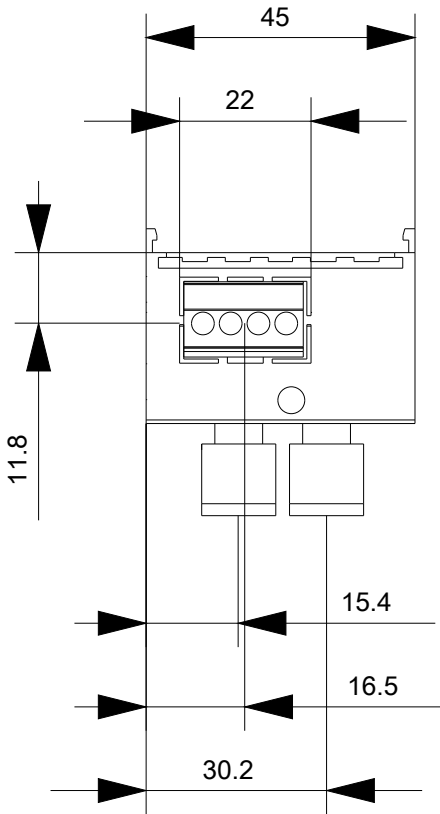
<http://support.automation.siemens.com/WW/CAXorder/default.aspx?lang=en&mlfb=3RA6970-3E>

Service&Support (Manuals, Certificates, Characteristics, FAQs,...)

<https://support.industry.siemens.com/cs/ww/en/ps/3RA6970-3E>

Image database (product images, 2D dimension drawings, 3D models, device circuit diagrams, EPLAN macros, ...)

http://www.automation.siemens.com/bilddb/cax_de.aspx?mlfb=3RA6970-3E&lang=en



last modified:

07/01/2017